

S0 Module 110

Installation Instructions

Safety Instructions



Before opening the housing of the AS 140, AS 190, pull out the 230 V mains plug of the telecommunications system from the socket.

The S0 module 110 may only be installed by a technician qualified under DIN 57105/VDE.

Do not give these instructions to the end user!

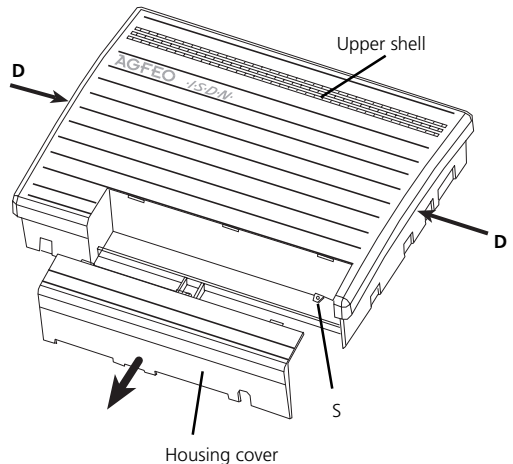
S0 Module 110

The module adds an internal S0 bus to the AS 140 and the AS 190. The connections

for this internal S0 bus are already provided.

Opening the housing of the AS 140, AS 190

- Remove the cover from the housing. Reach behind the cover of the telecommunications system housing on the bottom.
- Pull the edge of the cover down slightly so that it snaps out.
- Remove the cover from the housing from the front.
- Loosen the securing screw S. You need this screw again for reassembly.
- Press the bottom shell together lightly on the left and right (see drawing point 'D'). The housing springs open.
- Tip the top shell up to the left and release the snap catches.



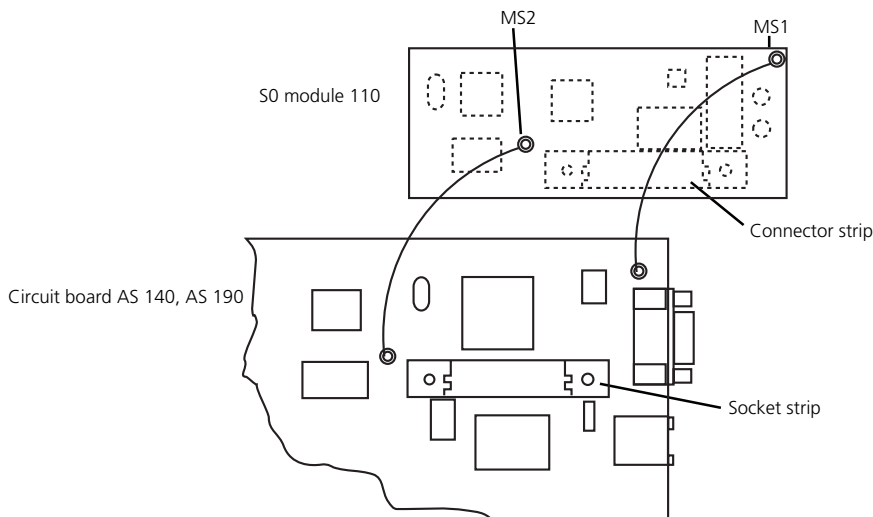
Removing the module from the packaging - Safety measures

Before removing the module from the ESD safety packaging and before inserting the module in the AS 140 or AS 190, touch the metal shield of the PC/printer socket of the telephone system briefly with your finger.

You have the safety packaging of the module in your other hand. This discharges any static which may have built up and protects the electrostatically sensitive components of the AS 140, AS 190 and the module.

Installation of the module

- Plug the S0 module 110 with the connector strip to the socket strip of the AS 140 or AS 190.
- Fix the S0 module with screws MS1 and MS2 using one spring washer each on the circuit board.



Closing the housing of the AS 140, AS 190

- Position the hooks in the upper shell in recesses of the lower shell.
- Tip the upper shell down to the right.
- With a slight pressure, the upper shell snaps into the lower shell.
- Fix the upper shell to the lower shell with the securing screw S.
- Hang the cover for the connecting panel to the top of the housing first. The three lugs grip behind the edge of the housing.
- Press the cover until it snaps into the bottom of the housing.

Make sure that the housing is closed all round and all hooks have snapped in. It should not be possible to open the upper shell by lifting it. There may be a risk of touching fatal voltages through openings between the upper and lower shells!

Startup

- Switch on the telecommunications system by plugging in the 230 V- mains plug

ID No. 524 522
Subject to modifications and errors.
Printed in Germany
0985

AGFEO GmbH & Co. KG
Gaswerkstr. 8
D-33647 Bielefeld
Internet: <http://www.agfeo.de>