

Digital system telephon ST 25

Conditions for use

The digital system telephone ST 25 is intended for connection to an internal ISDN bus of an AGFEO ISDN telecommunications system.

You can connect the digital system telephone ST 25 to the following AGFEO ISDN telecommunications system:

- ISDN telecommunications systems in the AGFEO Basic-Line AS 141, AS 191, software version 2.x or higher
- ISDN telecommunications systems in the AGFEO Basic-Line AS 141 plus, AS 191 plus, software version 1.x or higher
- ISDN telecommunications systems in the AGFEO Business-Line AS 32, AS 33, AS 34, software 3.x or higher
- ISDN telecommunications systems in the AGFEO Profi-Line AS 40, software version 2.x or higher

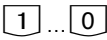
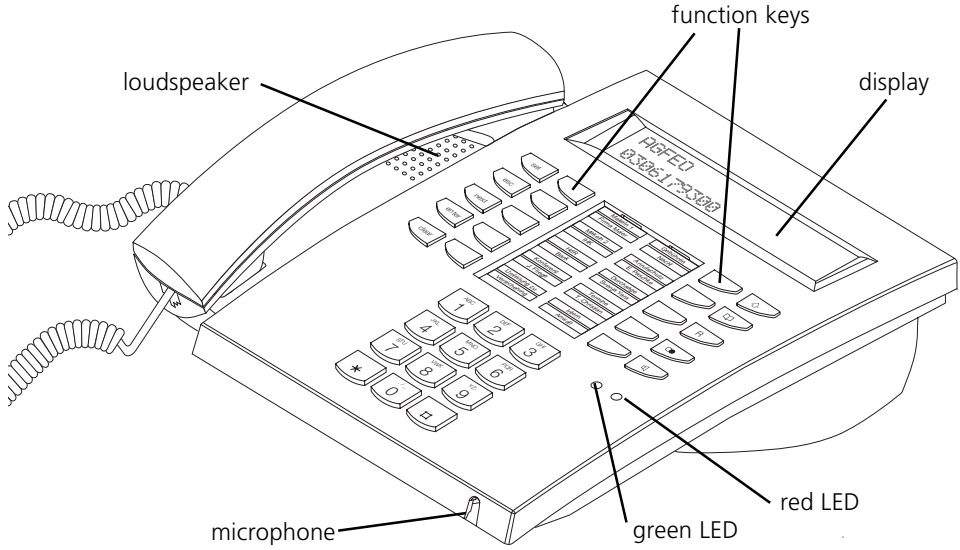
The digital system telephone ST 25 must not be connected to an ISDN interface of a public telecommunications network.

AGFEO GmbH & CO. KG cannot be held liable for damage resulting from use of the digital system telephone ST 25 that is not in accordance with its intended purpose.

Safety notes

- During a thunderstorm, you must not connect or disconnect the digital system telephone's connecting lead.
- Lay the digital system telephone's connecting lead in such a way that no-one can step on it or stumble over it.
- Make sure that no liquids penetrate into the interior of the digital system telephone. This may result in short-circuits.

Digital system telephone ST 25



Dialling key pad - For dialling a number and entering data



Inquiry key - for inquiries and brokering



and * keys



Redial key - for dialling the number dialled last



Set key - for initiating and ending programming



Loudspeaker key - for activating the loudspeaker and switching to hands free mode. You can alter the function by programming.



esc key - for clearing a connection or for cancelling programming mode



10 function keys - default settings on delivery. You can modify the functions by programming



next key - for scrolling further in the display in the event of different functions



Red LED - Flashes in the event of an appointment call and an entry in the call list; lights up when do not disturb is on.



enter key - for confirming inputs



Green LED - Flashes when hands free mode is on.



clear key - for clearing a display or data



shift key - to use the second level of function keys



Telephone directory key - to call up the telephone directory

Setting up and cleaning the digital system telephones, inserting the marking strips

Location

Place the digital system telephone in a suitable location. Pay attention to the following points:

- Do not install them where they may be splashed by water or chemicals.
- Plastic feet of the telephones:
Your unit was produced for normal conditions of use. The plastic feet of the telephone may be detrimentally influenced by chemicals that are used to produce fur-

niture or which are used in the production of care agents. In certain circumstances, the feet of the telephones altered by external influences may leave nasty traces. Understandably, we cannot assume any liability for such damage. Therefore, use a slip-proof support surface for your telephones, particularly on new furniture or on furniture that has been treated with care agents.

Cleaning

You can clean your digital system telephone easily. Pay attention to the following points:

- Wipe the telephone with a slightly moist cloth or use an anti-static cloth.
- Never use a dry cloth (charges may

produce defects in the electronic circuitries).

- In any case, make sure that moisture does not penetrate into the interior (switches and contacts may be damaged).

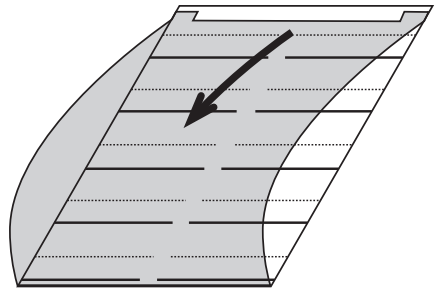
Inserting the marking strips of the function keys

Place your finger nail between the window and the telephone housing at the top. Pull down the window so that it bends outwards.

Now you can remove it.

Insert the labelling strip. You can print the appropriate labels on your PC with the configuration program TK-Set.

To insert, place the window in the slit at the bottom. Press down to bend out and insert the other end.



Commissioning

Connecting the digital system telephone

To commission the digital system telephone, insert the Western plug of the ISDN connecting cable into an IAE/UAE socket of your AGFEO ISDN telecommunications system's internal ISDN bus.

- Press the Western plug into the ISDN socket until it audibly latches.

- To remove the ISDN connecting cable, press (if necessary using a small screwdriver) the latching hook of the Western plug in the direction of the plug's housing and simultaneously pull the plug out by the cable.

Registering the digital system telephone's internal telephone number

Two digital system telephones can be connected to every internal ISDN bus (internal S0 bus) of an AGFEO ISDN telecommunications system (see Page 1).

During configuration of the telecommunications system, a primary internal telephone number, and possibly a secondary internal telephone number, from

the number repertoire of the telecommunications system is assigned to each digital telephone, just like any other terminal.

You must register the digital system telephone when you connect it to the telecommunications system for the first time.

This message appears briefly when you connect the digital system telephone ST 25 for the first time.

```
ST 25 digital
Registering
```

The assigned primary internal telephone numbers of the two digital system telephones, e.g. 13 and 14, are then displayed.

```
ST 25 digital
Slot 1 >13<14
```

next

Press "next" to select the next internal telephone number, e.g. >14<

```
ST 25 digital
Slot 1 13>14<
```

enter

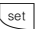
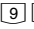
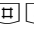
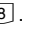
Press "enter" to register the digital telephone under the marked internal telephone number. The display goes off briefly and then this message briefly appears.

```
ST 25 digital
Registering
```

The standard display is then shown. The digital system telephone is registered and is ready for operation.

```
----- 11:52
19.March 1998
```

Notes

If it should be necessary to change the internal telephone number allocations, you can initiate the above registration function by entering    .

If you unplug a registered digital system telephone from the internal S0 bus and

connect it to the same internal S0 bus (slot) later on again, you do not need to register it again.

You must register the digital telephone again if you connect it to a different internal S0 bus.

Operating the digital system telephone

You operate the digital system telephone ST 25 in the same way as the analog system telephone ST 20.

Operation of the system telephone ST 20 (ST 25) is described in the operating instructions of your AGFEO ISDN telecommunications

system, in Chapter entitled "Operation - systems telephones". You can also consult your telecommunications system's "short-form operating instructions for system telephones".

Both system telephones' displays are identical.

Headset

The digital system telephone ST 25 features a separate terminal (Western socket) for a headset. Recommended headset models: (obtainable via specialist dealers)

Manufacturer	Model		Order No.
Plantronics	Supra Monaural Polaris	Model P51 *	32190-04
	Tristar	Model P81 *	33695-01
	* with connecting cable	U10P	38058-01
GN Nordkom	Profile monaural **		1861-15-03
	Optima NC monaural **		1913-29-01
	** with connecting cable		8800-00-01

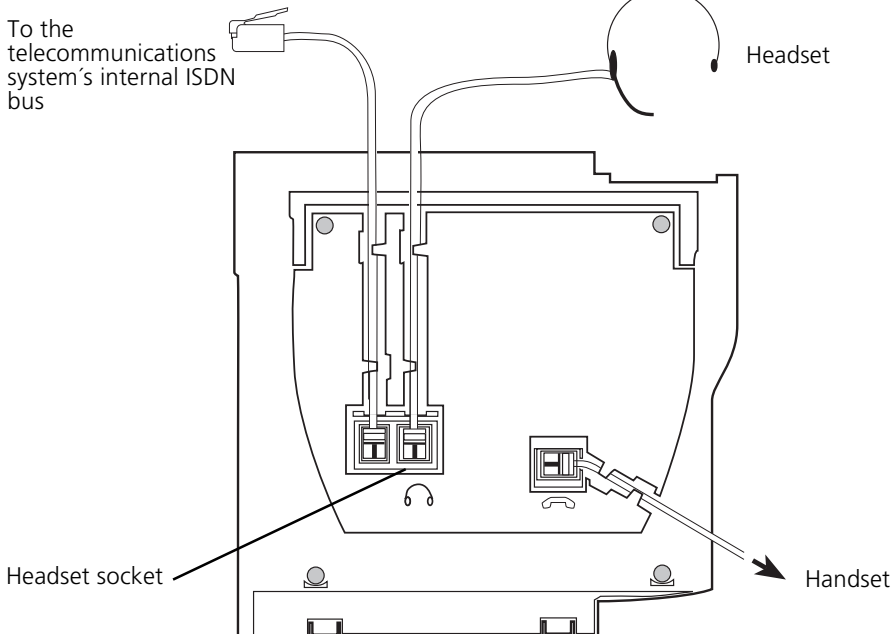
Connecting the headset

The Western socket for headset connection is located on the underside of the digital system telephone. The socket features the headset symbol.

- Press the headset's plug into the headset socket until it engages audibly.
- For pull relief, lay the headset's cable in the

cable duct on the underside of the digital system telephone.

- To release the headset cable, press (if necessary using a small screwdriver) the latching hook of the Western plug in the direction of the plug's housing and simultaneously pull out the plug by the cable.

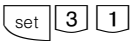


Terminals on the underside of the digital system telephone ST 25

Setting up the „Headset“ function key

If you wish to use a headset to make telephone calls, you must program a freely programmable function key on your digital

system telephone as the „Headset“ function key.



"set 31": initiate programming.

```
FP-Taste drücken
Taste      esc
```



Press the function key whose function you wish to modify (if necessary, press the "Shift" key for the second level beforehand). The current function is displayed.

```
Umleitung zu
enter next esc
```



With the "next" key, scroll down until the "Headset" function is displayed.

```
Headset
enter next esc
```



or with the "Shift" and "next" keys, scroll up until the required function is displayed.

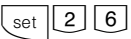
```
Headset
enter next esc
```



"set": end programming.
The "Headset" function key is configured.

```
----- 11:52
19.March 1998
```

Setting the headset volume



Enter "set 26" to set the headset volume. The current setting is marked.

```
Headset volume
1 2>3>4 5
```



Enter a digit for the new setting, e.g. "2"
Meanings: 1 - very low
5 - very high

```
Headset volume
1>2>3 4 5
```



Conclude programming.

Making telephone calls with the headset

You can use a headset instead of the digital system telephone's handset to make telephone calls. Instead of „lift the receiver“ and „replace the receiver“, press the „Headset“ function key instead.

- Conduct the conversation
- Press the „Headset“ key to end the conversation.

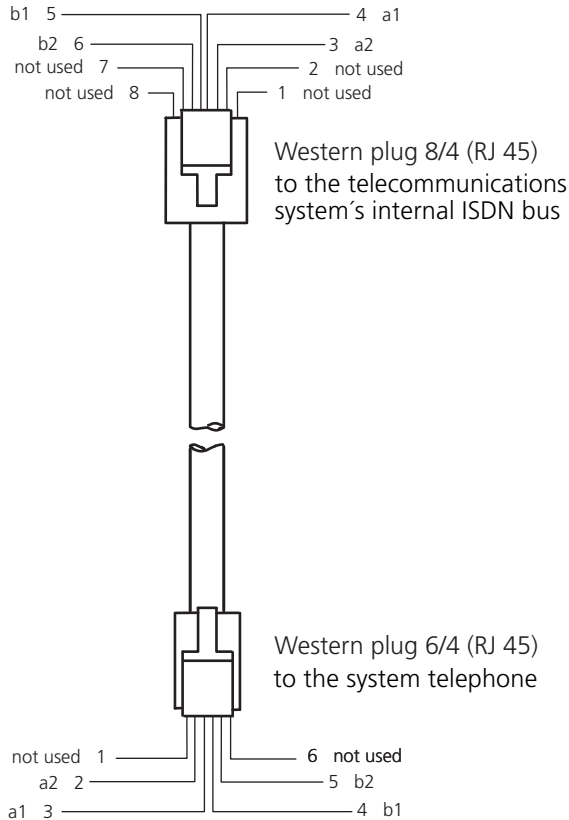
Example - accepting a call
Your telephone rings.

You can also use the digital system telephone's

- Press the „Headset“ to accept the call

- preparing dialing
 - on hook dialing
 - open listening
- functions in conjunction with the headset.

ISDN connecting cable ST 25 - pin assignments



This unit meets the requirements of the EU guideline:
73/23/EWG Low voltage equipment
89/336/EWG Electromagnetic compatibility
To this end, the system telephone bears the CE mark.

Ident.No. 533 920
Modifications and errors reserved.
Printed in Germany
0006

AGFEO GmbH & Co. KG
Gaswerkstr. 8
D-33647 Bielefeld
Internet: <http://www.agfeo.de>